



**Owner's manual & Installation manual**  
**Mode d'emploi et manuel d'installation**  
**Manual de usuario y Manual de instalación**

**CM1624TB**  
**CM1624TS**

---

**6.5" (165MM) 2-WAY MARINE TOWER SPEAKERS**  
**HAUT-PARLEURS TOUR MARINE BIDIRECTIONNELS , 6,5 PO (165 MM)**  
**ALTAVOCES TORRE MARINO DE 2 VÍAS DE 6.5" (165MM)**

## **CLARION PRODUCT REGISTRATION INFORMATION**

For USA and Canada only  
[www.clarion.com](http://www.clarion.com)

Dear Customer:

Congratulations on your purchase of a Clarion marine product. We are confident that you'll enjoy your Clarion experience.

There are many benefits to register your product. We invite you to visit our web site at [www.clarion.com](http://www.clarion.com) to register your Clarion product.

We have made product registration simple with our easy to use website. The registration form is short and easy to complete. Once you're registered, we can keep you informed of important product information.

Register at [www.clarion.com](http://www.clarion.com)- it's easy to keep your Clarion product up to date.

## **Contents**

---

<b>1. FEATURES .....</b>	<b>3</b>
<b>2. PRECAUTIONS .....</b>	<b>3</b>
<b>3. SUPPLIED PARTS AND HARDWARE .....</b>	<b>4</b>
<b>4. INSTALLATION .....</b>	<b>5-6</b>
<b>5. SPECIFICATIONS .....</b>	<b>7</b>

Thank you for purchasing Clarion speakers for your Marine audio system. You have chosen Clarion because you deserve the best!

Clarion speakers are designed and engineered to reproduce great sound quality for many years of listening enjoyment in your boat or off-road vehicle! We highly recommend that your new speakers be installed by an experienced dealer.

Your experienced dealer can professionally install and set the proper speaker placement for optimum sound quality.

If you decide to install the speakers by yourself, please thoroughly read through this manual before getting started. This manual will help familiarize you with these speakers and guide you through the installation process and steps.

Please contact your local installation shop if you have any questions regarding the instructions in this manual. If you require additional assistance please contact the Clarion Technical Support Department during business hours at 800-GO-CLARION (800-462-5274).

# 1. FEATURES

MODEL	TYPE	POWER HANDLING
CM1624TB (Black) CM1624TS (Silver)	6.5" (165mm) 2-Way Marine Tower Speakers	80W Continuous Power

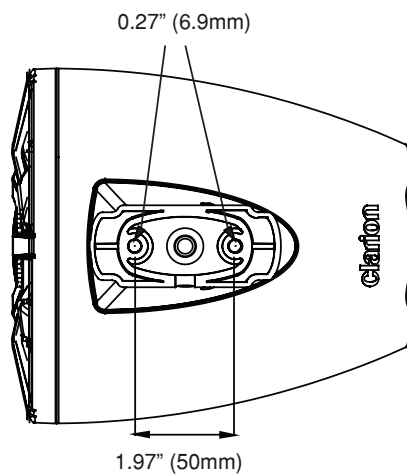
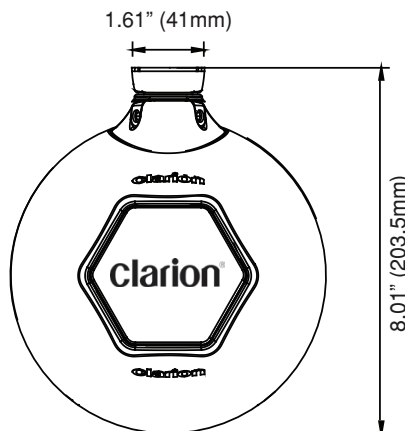
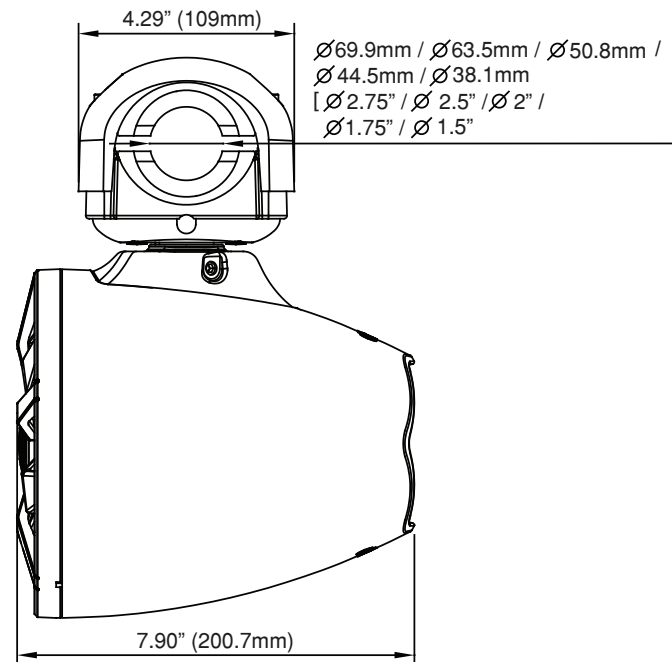
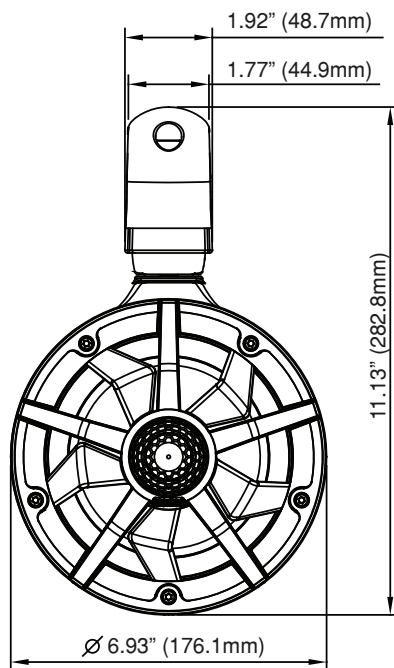
- 200 Watts music peak power
- 80 Watts continuous power
- 6.5" (165mm) IMPP Woofer Cone
- 1" (25mm) PEI Dome Tweeter
- Built-In RGB LED Illumination
- Carbon Fiber Spoke Design
- 360 Degree Swivel Bar Clamp and Surface Mount
- Bar mount adjustable to fit 1.5", 1.75", 2", 2.5", 2.75" bar sizes
- High Impact ASA Enclosure
- Water resistant, IP55 ingress protection
- Meets or exceeds ASTM B117 (Salt Fog exposure)
- Meets or exceeds ASTM D4329 (UV exposure)
- Stainless Steel Mounting Hardware Included
- Optional All Weather Protective Cover (CM1624TPC)

# 2. PRECAUTIONS

1. Be sure to carefully read and understand the instructions before attempting to install these speakers.
2. For safety, disconnect the negative battery terminal from the battery prior to starting the installation.
3. For easier assembly, we suggest you have all your tools handy:  
Drill, Allen Wrench Set, Wire Crimpers, Soldering Iron, Wire Strippers, Heat Shrink Tubing, etc.
4. Use high quality, waterproof connectors for a reliable installation and to minimize signal or power loss.
5. Think before you drill! Be careful not to cut or drill into gas tanks, fuel lines, brake or hydraulic lines, vacuum lines, electrical wiring, or drilling through the hull when working on any boat.
6. If possible, do not run wires near fuel lines or power. Running the wires inside the hull area provides the best protection.
7. Avoid running wires over or through sharp edges. Use rubber or plastic grommets to protect any wires routed through metal - especially the tower/T-Tops.
8. Make sure the mounting clamps are tight before leaving the dock or cruising off-road.

# 3. SUPPLIED PARTS AND HARDWARE

- (1) Pair of CM1624TB or CM1624TS Marine Tower Speakers
- (4) 1.5" Bar Inserts
- (4) 1.75" Bar Inserts
- (4) 2" Bar Inserts
- (4) 2.5" Bar Inserts
- (4) 2.75" Bar Inserts
- (4) Mounting Spacer Inserts (Required for 1.5", 1.75" and 2" Bar Inserts)
- (2) Surface Mount Gaskets
- (4) M6 Hex Bolts 60mm (Required for 2.5" and 2.75" Bar Inserts)
- (1) M4 Allen Wrench
- (1) M5 Allen Wrench
- (1) M6 Allen Wrench



# 4. INSTALLATION

## Bar Mount Installation

### STEP 1:

Remove tower speakers and all the hardware from the packaging.

### STEP 2:

Using the supplied M6 Allen wrench, remove the M6 bolts that hold the upper clamp onto the base clamp of the tower speakers. Based upon the diameter of the tower bar, select the inserts that provides the best fit.

**NOTE:** If using the 2.5" or 2.75" inserts, you will need to use the M6 Hex Bolt (60mm) and remove the default Mounting Spacer Inserts.

### STEP 3:

Find a good location to run the wires and will not impede movement of the tower speakers.

### NOTE:

The tower speaker accommodates two different types of speaker wire installation:

1. Going straight into a hole in the tower tube thus the speaker wire will be routed through the center hole of the rubber spacing insert. For this installation type, please proceed to **STEP 4**.
2. Alongside the tube the speaker wire will exit the rubber spacing insert through the side notch. For this installation type, please proceed to **STEP 6**.

### STEP 4:

During the installation process, you should have determined the best location to drill a hole into the tower bar to run the speaker wires. If you have, then please proceed to **STEP 5**.

If you have not, select a location that places the tower speakers in an area that will have less head contact and is equal on both sides.

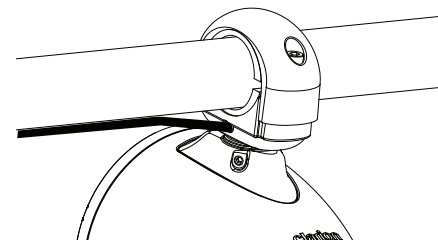
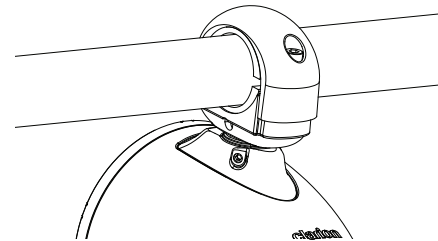
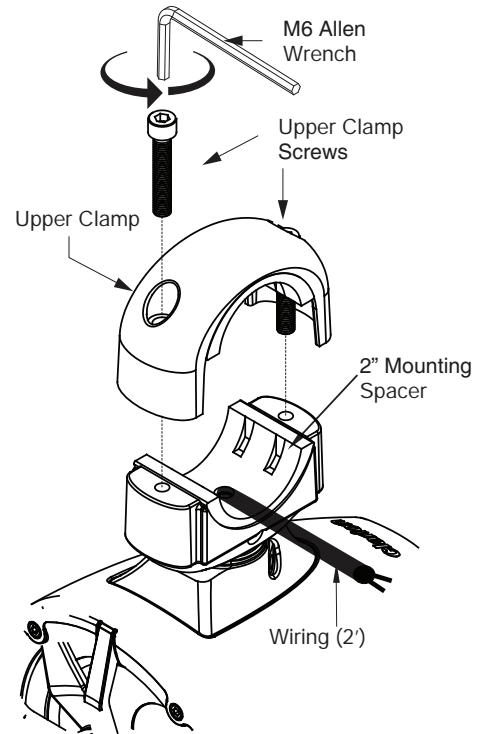
Use tape to help determine the best mounting locations.

Once you have selected the best locations, start with drilling an 1/8" pilot hole into the tower bar. The hole will be the center of the tower speaker once mounted.

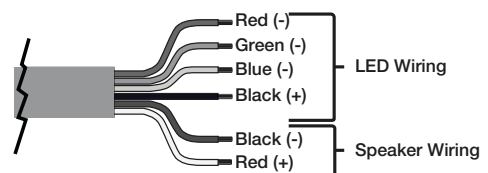
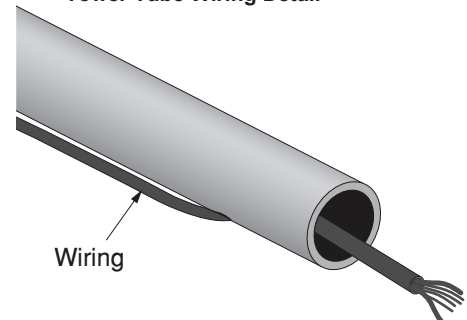
### STEP 5:

Using a 1/2" drill bit, make the 1/8" pilot hole a 1/2" hole to allow a little adjustment when the tower speakers are mounted. This will help in the event of heavy vibration so the wires do not get pinched.

Once the 1/2" hole has been drilled, please de-burr the hole so there are not any sharp metal edges that can damage the speaker wires. To help prevent wire damage, please use a rubber or plastic hole grommet.



Tower Tube Wiring Detail



# 4. INSTALLATION

## STEP 6:

Before connecting the speaker wires, please make sure you are using the correct rubber insert that best fits the tower bar being mounted to. Connect the tower speaker wires to a length of speaker wire that will be long enough to connect to the source device.

## STEP 7:

With a second person, hold the tower speaker up so the base of it seats up against the bottom of the tower bar using the provided spacers to eliminate the gap between the bar and the clamps. Then align the top clamp around the top of the tower bar.

To help make it easier, insert the bolts into the top clamp to help align the holes, then you can finger thread the bolts through the top clamp into the base of the tower speaker.

## STEP 8:

Tighten the M6 bolts, but do not completely tighten the bolts as you may need to adjust them before you complete the installation.

After adjustments have been made, tighten the bolts until snug.

**\*\*Do not over tighten the bolts as you can strip the threads.\*\***

## STEP 9:

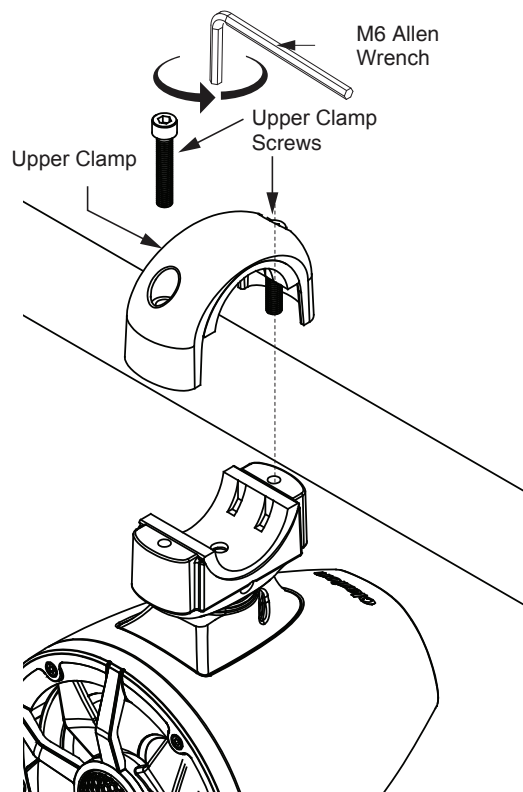
If the tower speakers need to be rotated from side to side in order to obtain optimum sound, this is done by loosening the two 6mm hex head shaft bolts located on the base of the tower speaker counter clock-wise.

Once the adjustment has been made, tighten the 6mm hex head shaft bolts.

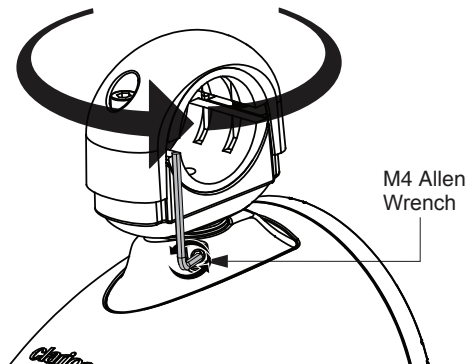
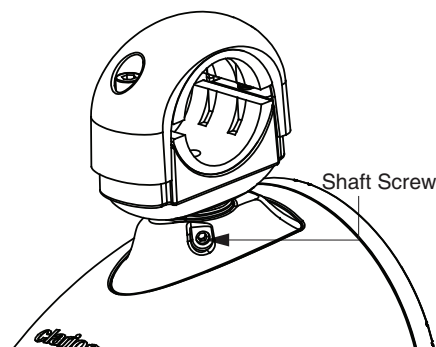
### NOTE:

Blue Loctite is highly recommended when installing the hex head bolts.

### Tightening Clamps Down



### 360° Clamp Rotation



# 4. INSTALLATION

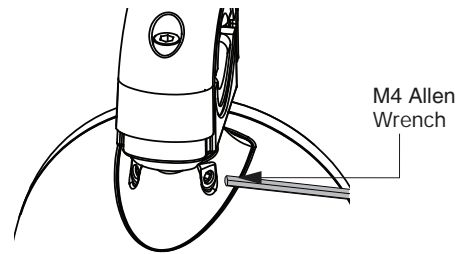
## Surface Mount Installation

### STEP 1:

Remove tower speakers and all the hardware from the packaging.

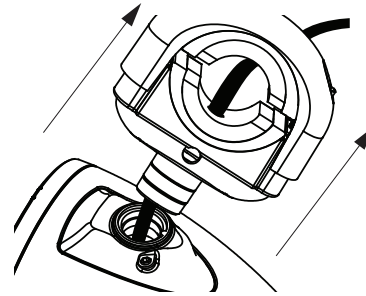
### STEP 2:

Using supplied M4 Allen wrench, loosen the base clamp hex head shaft bolts on the left and right side.



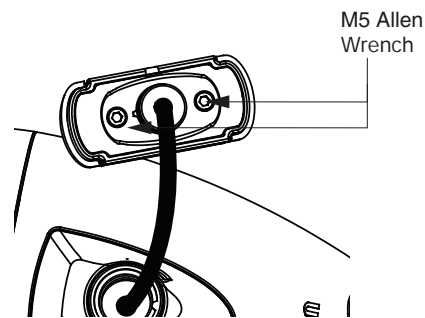
### STEP 3:

Begin by pulling mount assembly out of base clamp while feeding the cable through the mount hole to create a gap between base and surface mount parts.



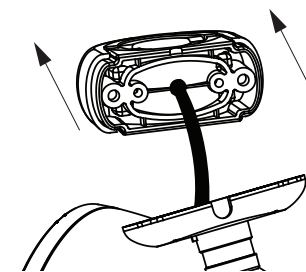
### STEP 4:

When adequate space is created, use the supplied M5 Allen wrench to loosen and remove the bolts connecting the surface mount and bar mount pieces.



### STEP 5:

Once the bolts are removed, pull the bar mount and assembly completely off of the wire.



### STEP 6:

Find a good location to run the wires that will not impede movement of the tower speakers.

### NOTE:

The tower speaker accommodates two different types of speaker wire installation:

1. Going straight into a hole in the surface thus the speaker wire will be routed through the center hole of the rubber spacing insert. For this installation type, please proceed to **STEP 7**.
2. Alongside the surface thus the speaker wire will exit the rubber spacing insert through the side notch. For this installation type, please proceed to **STEP 8**.

### NOTE:

Blue Loctite is highly recommended when installing the hex head bolts.

# 4. INSTALLATION

## STEP 7:

Using a 1/2" drill bit, make the 1/8" pilot hole a 1/2" hole to allow a little adjustment when the two speakers are mounted. This will help in the event of heavy vibration so the wires do not get pinched.

Once the 1/2" hole has been drilled, please de-burr the hole so there are not any sharp edges that can damage the speaker wires. To help prevent wire damage, please use a rubber or plastic hole grommet.

## STEP 8:

Connect the two speaker wires to a length of speaker wire that will be long enough to connect to the source device. If the speaker will be wired through a hole, begin feeding the wiring into the hole so that the surface mount can be aligned then slip to **STEP 10**. If surface mounting the wiring, proceed to **STEP 9**.

## STEP 9:

If surface mounting the wiring, place surface mount bracket in desired area and drill pilot holes for bolts. Once pilot holes are drilled, attach surface mount gasket to surface mount bracket and slide surface mount up wire to clear speaker, leaving only enough space to attach mount to surface. Feed cabling through side of surface mount.

## STEP 10:

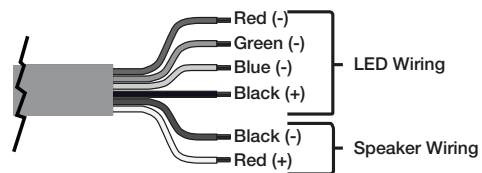
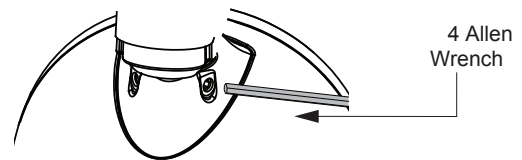
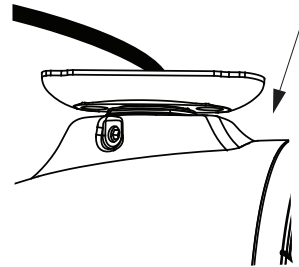
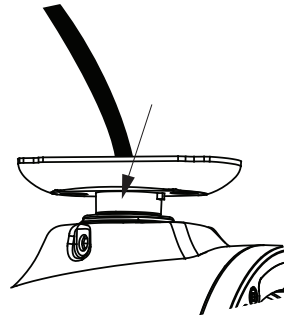
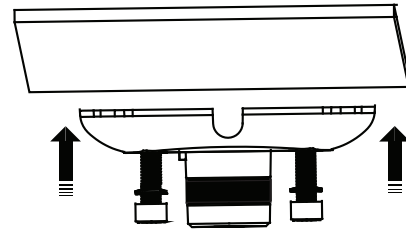
If passing cables through the hole, attach surface mount gasket to surface mount bracket and begin fastening surface mount to surface. Once completed, feed remaining wiring through mount, finish tightening the surface mount to surface and insert mount end into speaker.

## STEP 11:

Tighten the hex head shift bolts after rotating the speaker to desired position.

### NOTE:

Blue Loctite is highly recommended when installing the hex head bolts.





**GENERAL SPEC:**

Woofer Size: 6.5" (165mm)

Woofer Cone Material: Injection Molded Polypropylene (IMPP)

Woofer Surround Material: Santoprene

Tweeter Size: 1" (25mm)

Tweeter Material: PEI Dome

**PERFORMANCE SPEC:**

Impedance: 4ohms

SPL: 88dB (+/- 3dB)

Frequency Response: 75Hz - 20KHz

Music Peak Power Handling: 200W

Continuous Power Handling: 80W

**MEETS OR EXCEEDS THE FOLLOWING STANDARDS:**

ASTM B117 (Salt / Fog Exposure)

ASTM D4329 (UV Exposure)

Water Ingress Protection Rating: IP55

**LED Color Combinations:**

RGB Wire(s)	Color Output
Red	Red
Green	Green
Blue	Blue
Red + Green	Yellow
Red + Blue	Magenta
Green + Blue	Light Blue
Red + Green + Blue	White

Note: When paired with LED controller, speaker LEDs can achieve 16 million color variations

# Clarion Corporation of America

---

All Rights Reserved. Copyright © 2017: Clarion Corporation of America  
Printed in China / Imprimé en Chine / Impreso en China

# clarion®

## GARANTIE LIMITÉE DE 1 AN CLARION

Pour le Canada et les États-Unis seulement

Ce produit Clarion vendu par un marchand autorisé Clarion est garanti contre tous défauts de matériel et de fabrication pour une durée **d'un (1) an** à compter de la date de vente initiale lorsque l'achat est effectué chez un marchand autorisé Clarion; les items tels les piles sont couverts par une garantie de 6 mois suivants la date d'achat. Tous câblages, fils et autres accessoires Clarion achetés chez un marchand autorisé Clarion, sont garantis contre tous défauts de matériel **ET** de fabrication pour une durée de quatre-vingt-dix (90) jours suivant la date d'achat initiale.

### **TOUT ACHAT DE PRODUITS CLARION EFFECTUÉ CHEZ UN MARCHAND NON-AUTORISÉ CLARION SERA SOUMIS À DES RESTRICTIONS DE GRANANTIES DÉCRITES CI-DESSOUS.**

Les conditions de cette garantie limitée et l'implication de la responsabilité de Clarion Corporation of America ou Clarion Canada Inc. "Clarion" sous cette garantie limitée sont les suivantes:

1. **UNE PREUVE DE DATE D'ACHAT D'UN MARCHAND AUTORISÉ CLARION EST REQUISE POUR SERVICE SOUS GARANTIE DE CE PRODUIT. DES INFORMATIONS SUPPLÉMENTAIRES CONCERNANT LES CENTRES DE SERVICES AUTORISÉS PAR CLARION PEUVENT ÊTRE OBTENUES EN CONTACTANT CLARION À UNE DES ADRESSES ÉNUMÉRÉES CI-BAS.**
2. Cette Garantie Limitée sera annulée si un dommage est survenu au bien lors d'un service effectué par une personne ou entreprise qui n'est pas accrédité comme un Centre de Service et Garantie Clarion.
3. Cette Garantie Limitée n'est aucunement applicable à un produit sujet à l'abus, négligence, accidentés, mal installé ou utilisation incorrects ou que les numéros de série ont été modifiés, obstrués ou effacés, ou qui a été raccordés, installés, ajustés ou réparés autrement qu'indiqué par Clarion.
4. Cette Garantie Limitée ne couvre pas les interférences électrostatiques, électriques ni les frais reliés à la manutention pour le retrait ou la réinstallation.
5. La responsabilité de Clarion sous cette Garantie Limitée est limitée uniquement à la réparation ou au remplacement du produit, qui est sujet uniquement à la discrétion de Clarion.
6. Ce produit doit est retourné dans son emballage d'origine ou équivalent. Le colis doit être entièrement assuré et tous frais de transport doivent être prépayés. Clarion n'assumera aucune responsabilité en cas de perte ou dommages survenue lors du transport.
7. **TOUS PRODUITS CLARION ACQUIS PAR L'ENTREMISE AUTRE QUE PAR UN MARCHAND AUTORISÉ PAR CLARION, INCLUANT TOUS ACHATS VIA UN MARCHAND VIRTUEL (ACHAT INTERNET) QUI N'EST PAS AUTORISÉ PAR CLARION, NE SONT PAS COUVERTS PAR LES GARANTIES LIMITÉES DE CLARION, ET CE, EN ACCORD AVEC LES LIMITATIONS DÉFINIES PAR LA LOI. DANS LE CAS OÙ LES LOIS APPLICABLES NE PERMETTENT PAS L'ÉLIMINATION DES GARANTIES SOUS CES CONDITIONS, LAPÉRIODE DE GARANTIE LIMITÉE QUI S'APPLIQUE AU PRODUIT SERA DE QUINZE(15) JOURS À PARTIR DE LA DATE D'ACHAT INITIALE.**
8. **AUCUNE GARANTIE IMPLICITE NE POURRA S'ÉTENDRE AU-DELÀ DE LA PÉRIODE DE GARANTIE DÉCRITE CI-DESSUS, ET CE, EN ACCORD AVEC LES LIMITES DÉFINIES PAR LA LOI. CLARION NE POURRA EN AUCUN CAS ÊTRE TENUE RESPONSABLE DES PERTES OU DOMMAGES DIRECTS OU INDIRECTS DUS À L'UTILISATION OU L'IMPOSSIBILITÉ D'UTILISATION DU PRODUIT. PUISQUE CERTAINS ÉTATS OU PROVINCES NE PERMETTENT PAS DE LIMITER LA DURÉE DES GARANTIES IMPLICITES, OU DE LIMITER LA RESPONSABILITÉ EN CAS DE DOMMAGES DIRECTS OU INDIRECTS, CES LIMITATIONS OU EXCLUSIONS PEUVENT NE PAS S'APPLIQUER À VOUS.**
9. **CETTE GARANTIE LIMITÉE VOUS DONNE DES DROITS LÉGAUX PRÉCIS. VOUS POUVEZ POSSÉDER DES DROITS SUPPLÉMENTAIRES SELON VOTRE LIEU DE RÉSIDENCE.**
10. Les lois de l'état de la Californie régissent totalement cette garantie limitée, son interprétation et sa mise en exécution.
11. Si vous éprouvez des problèmes de performance du produit pendant la période de garantie, veuillez communiquer avec Clarion ou visitez notre site Web à l'adresse ci-dessous afin d'obtenir une résolution de tout problème relié aux produits Clarion.

Aux États-Unis:  
 Clarion Corporation of America  
 Attn:Customer Service Manager  
 6200 Gateway Drive Cypress, CA 90630  
 1-800-GO-CLARION  
 www.clarion.com

Au Canada:  
 Clarion Canada Inc.  
 Centre de Service et Garantie  
 2239 Winston Park Drive  
 Oakville, Ontario L6H 5R1  
 (905)829-4600  
 www.clarion.com

**Clarion**<sup>®</sup>**CLARION 1 YEAR LIMITED WARRANTY**

For USA and Canada only

This Clarion product purchased from an authorized Clarion dealer are warranted against all defects in materials and workmanship for a period of **one (1) year** from the date of original purchase other than consumable parts, such as the battery pack, which are covered for 6 months from the date of purchase, when purchased from **AND** installed by an authorized Clarion dealer.

All Clarion cables, wires and other accessories if purchased from an authorized Clarion dealer are warranted against all defects in materials and workmanship for ninety (90) days unless otherwise specified from the date of original purchase.

**ALL PURCHASES OF CLARION PRODUCTS FROM NON-AUTHORIZED CLARION DEALERS ARE SUBJECT TO FURTHER WARRANTY RESTRICTIONS AS DESCRIBED BELOW.**

The conditions of this Limited Warranty and the extent of responsibility of Clarion Corporation of America ("Clarion") under this Limited Warranty are as follows :

1. **PROOF OF DATE OF PURCHASE FROM AN AUTHORIZED CLARION DEALER WILL BE REQUIRED FOR WARRANTY SERVICE OF THIS PRODUCT. CENTERS MAY BE OBTAINED BY CONTACTING CLARION AT THE ADDRESS LISTED BELOW.**
2. This Limited Warranty will become void if service performed by anyone other than an approved Clarion Warranty Service Center results in damage to the product.
3. This Limited Warranty does not apply to any product which has been subject to misuse, neglect or accident, or which has had the serial number altered, defaced or removed, or which has been connected, installed, adjusted or repaired, other than in accordance with the instructions furnished by Clarion.
4. This Limited Warranty does not cover car static or other electrical interferences, tape head or laser pick-up cleaning or adjustments, or labor costs for the removal or reinstallation of the unit for repair.
5. The sole responsibility of Clarion under this Limited Warranty shall be limited to the repair of the product or replacement of the product, at the sole discretion of Clarion.
6. Product must be shipped in its original carton or equivalent carton, fully insured, with shipping charges prepaid. Clarion will not assume any responsibility for any loss or damage incurred in shipping.
7. **CLARION PRODUCTS PURCHASED FROM A SOURCE OTHER THAN AN AUTHORIZED CLARION DEALER, INCLUDING ANY AND ALL PURCHASES VIA THE INTERNET FROM A NON INTERNET AUTHORIZED CLARION DEALER, SHALL NOT BE COVERED BY ANY CLARION LIMITED WARRANTY TO THE EXTENT ALLOWED BY APPLICABLE LAW. IN THE EVENT AND TO THE EXTENT APPLICABLE LAW PROHIBITS ELIMINATION OF WARRANTIES UNDER THESE CIRCUMSTANCES, THE APPLICABLE LIMITED WARRANTY PERIOD SHALL BE DEEMED TO BE FIFTEEN (15) DAYS FROM THE DATE OF ORIGINAL PURCHASE.**
8. **ALL IMPLIED WARRANTIES EXCEPT TO THE EXTENT PROHIBITED BY APPLICABLE LAW SHALL HAVE NO GREATER DURATION THAN THE WARRANTY PERIOD SET FORTH ABOVE. UNDER NO CIRCUMSTANCES SHALL CLARION BE LIABLE FOR ANY LOSS OR DAMAGE, DIRECT OR CONSEQUENTIAL, ARISING OUT OF THE USE OR INABILITY TO USE THE PRODUCT. BECAUSE SOME STATES DO NOT ALLOW LIMITATIONS ON HOW LONG AN IMPLIED WARRANTY LASTS OR EXCLUSIONS OR LIMITATIONS OF INCIDENTAL OR CONSEQUENTIAL DAMAGES, THE ABOVE LIMITATIONS OR EXCLUSIONS MAY NOT APPLY TO YOU.**
9. **THIS LIMITED WARRANTY GIVES YOU SPECIFIC LEGAL RIGHTS, AND YOU MAY ALSO HAVE OTHER RIGHTS WHICH VARY FROM STATE TO STATE.**
10. The laws of the State of California shall govern and control this Limited Warranty, its interpretation and enforcement.
11. Should you have any difficulties with the performance of this product during the warranty period, please call Clarion or visit our web site for a listing of Authorized Warranty Service Centers in your area. You may also contact Clarion Customer Service at the address listed below for any service help you may need with Clarion products.

In USA:  
Clarion Corporation of America  
Attn:Customer Service Manager  
6200 Gateway Drive  
Cypress, CA 90630  
1-800-GO-CLARION  
www.clarion.com

In Canada:  
Clarion Canada Inc.  
Warranty Service Center  
2239 Winston Park Drive  
Oakville, Ontario L6H 5R1  
(905) 829-4600  
www.clarion.com